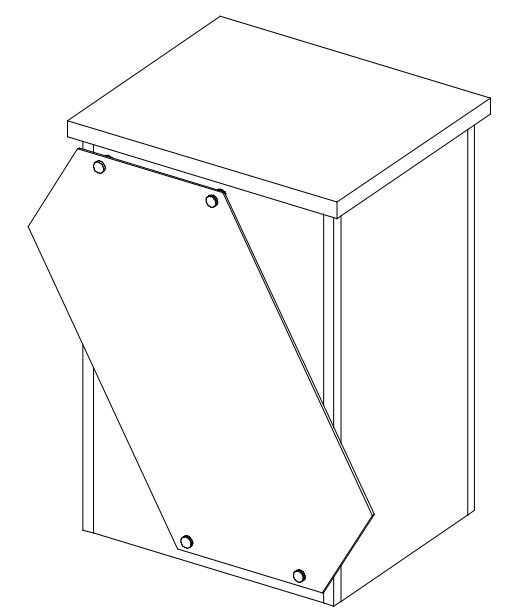
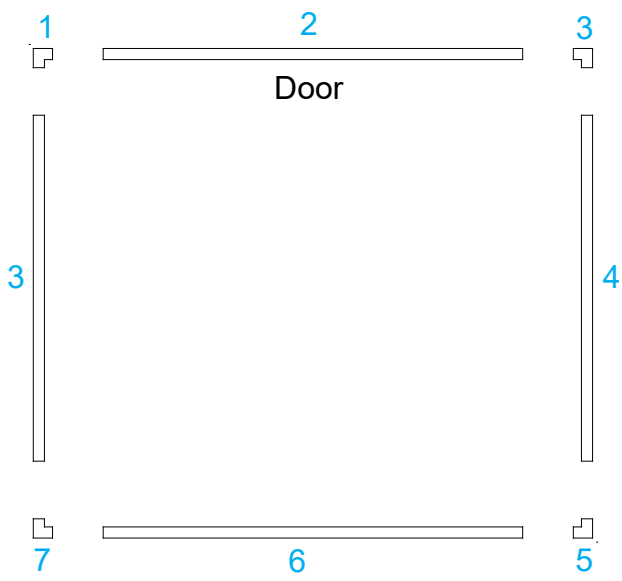
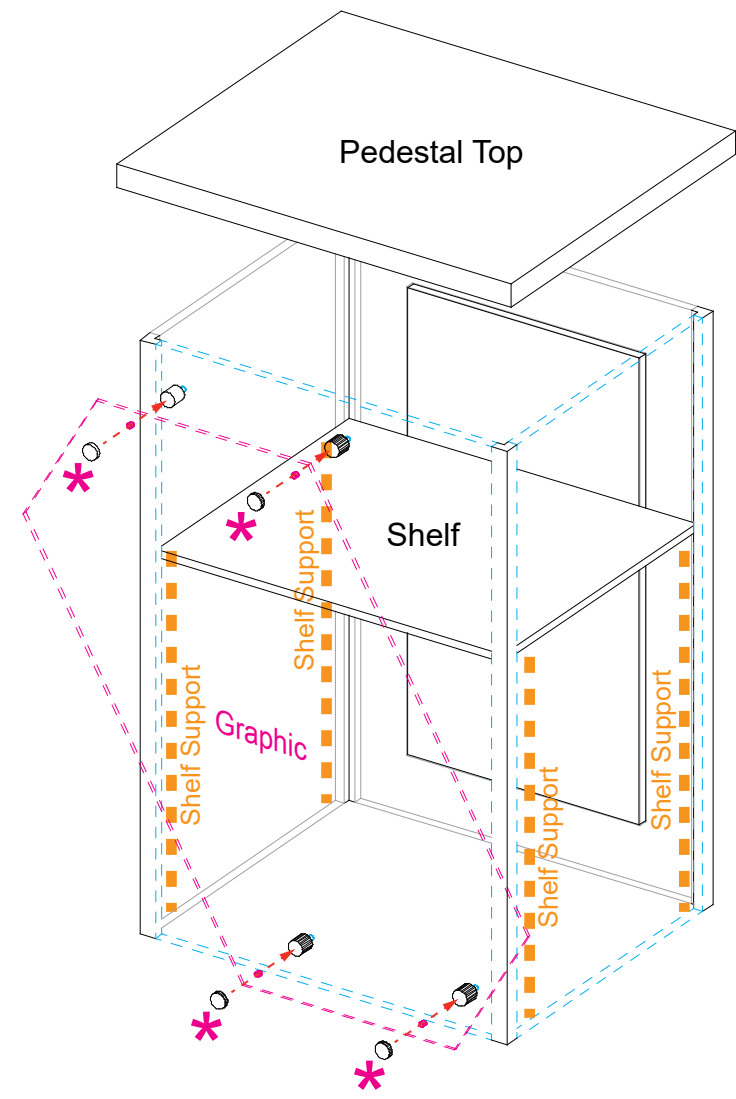
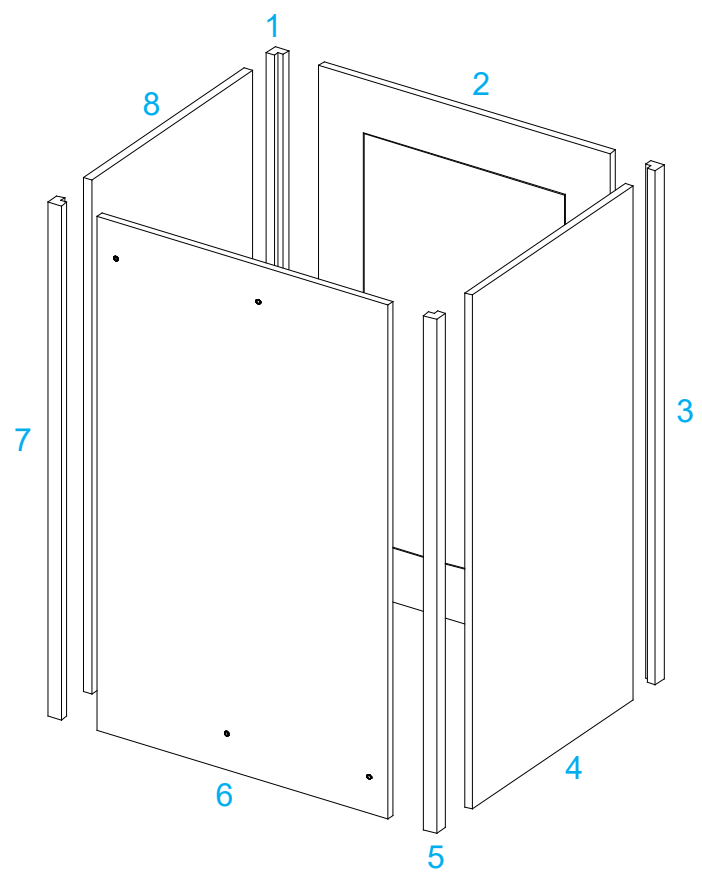
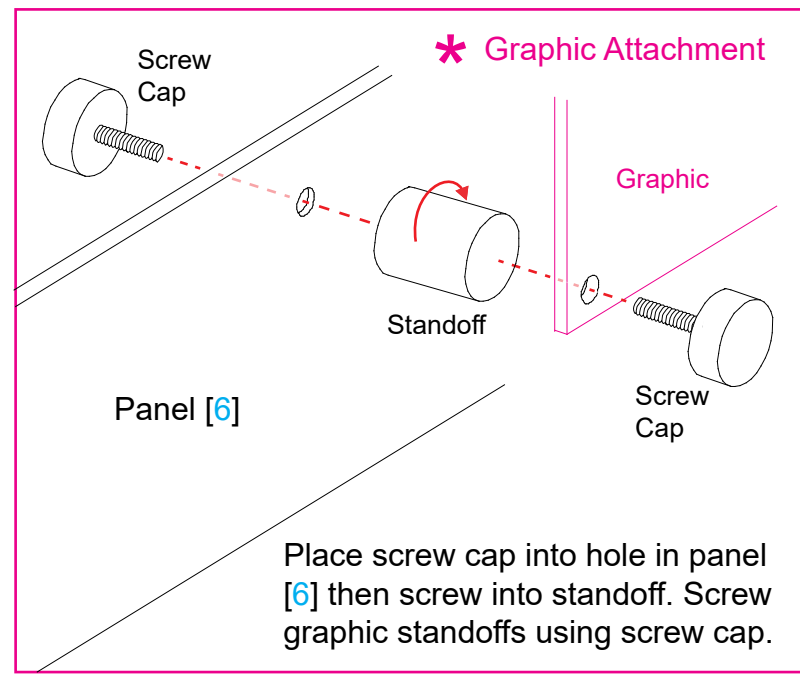


Item	Qty.	Description
1	1	38" h Corner Connector
2	1	19" w x 38" h Panel w/ Door
3	1	38" h Corner Connector
4	1	19" w x 38" h Panel
5	1	38" h Corner Connector
6	1	19" w x 38" h Panel
7	1	38" h Corner Connector
8	1	19" w x 38" h Panel

- Steps:**
- 1) Connect panels and connectors together in numerical order, making sure the Velcro is facing inward.
 - 2) Connect shelf supports to Velcro on panels.
 - 3) Place shelf on shelf supports.
 - 4) Attach graphic to panel [6]. See **Graphic Attachment** detail.
 - 5) place pedestal top onto assembled pedestal.



Completed Assembly



SETUP INSTRUCTIONS

General Setup Instructions

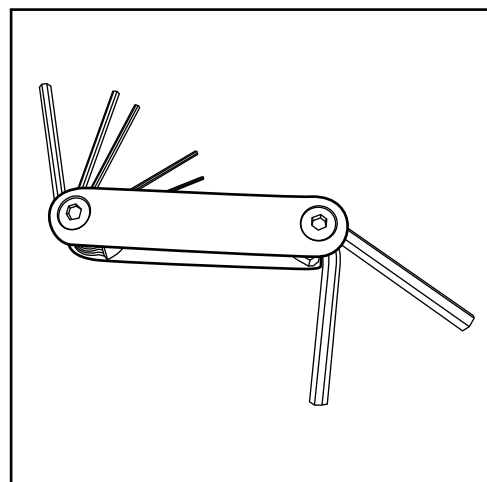
- Read entire setup instruction manual prior to unpacking parts and pieces.
- The setup instructions are created specifically for this configuration.
- Setup instructions are laid out sequentially in steps, including exploded views with detailed explanation for assembly.

Cleaning & Packing

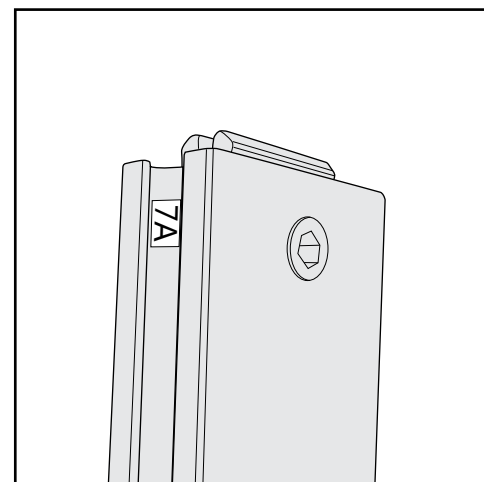
- For Cleaning Metal, Plex, & Laminate Parts: Use a **MILD NON-ABRASIVE** cleanser and soft cloth/paper towel to clean all surfaces.
- Keep exhibit components away from heat and prolonged sun exposure. **Heat and UV exposure will warp and fade components.**
- Retain all provided Packing Materials. All provided packing materials are for ease of repacking & component protection.

Disassembly

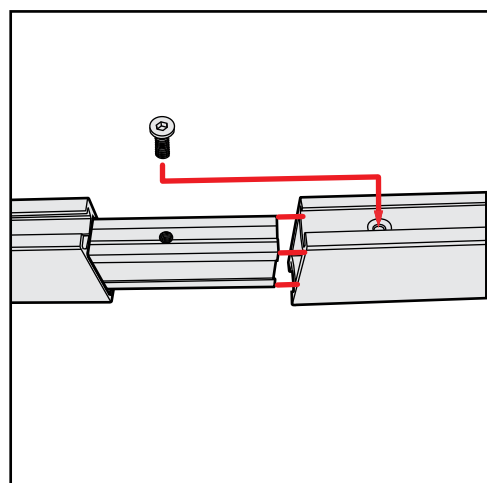
- For loss prevention, tighten all set screws and locks during disassembly.



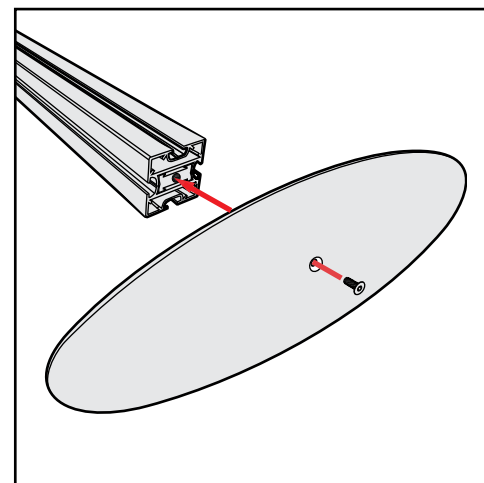
Hex Tool - Essential for Assembly



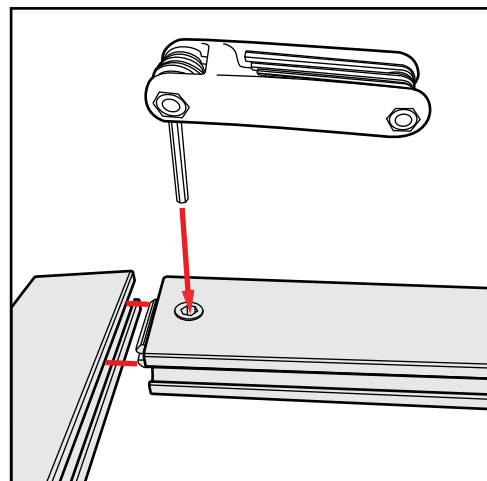
Part Identification - Numbering



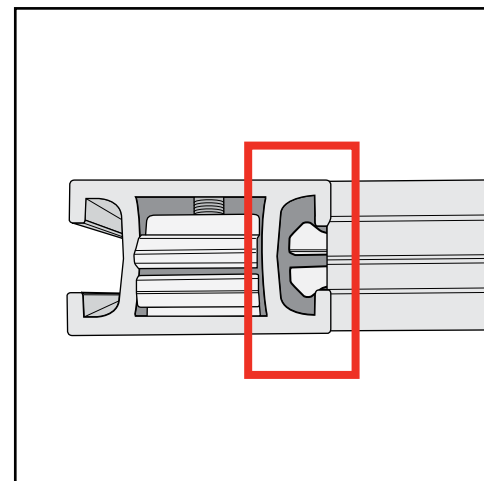
Spline Connection



Base Plate & Extrusion Connection



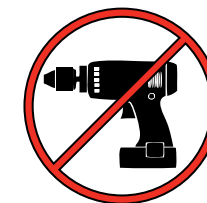
Extrusion & Lock Connection



Engaged Lock



WARNING



DO NOT USE POWER TOOLS



LADDERS OR LIFTS
MAY BE REQUIRED



ALL CONNECTIONS MUST
BE TIGHTLY SECURED